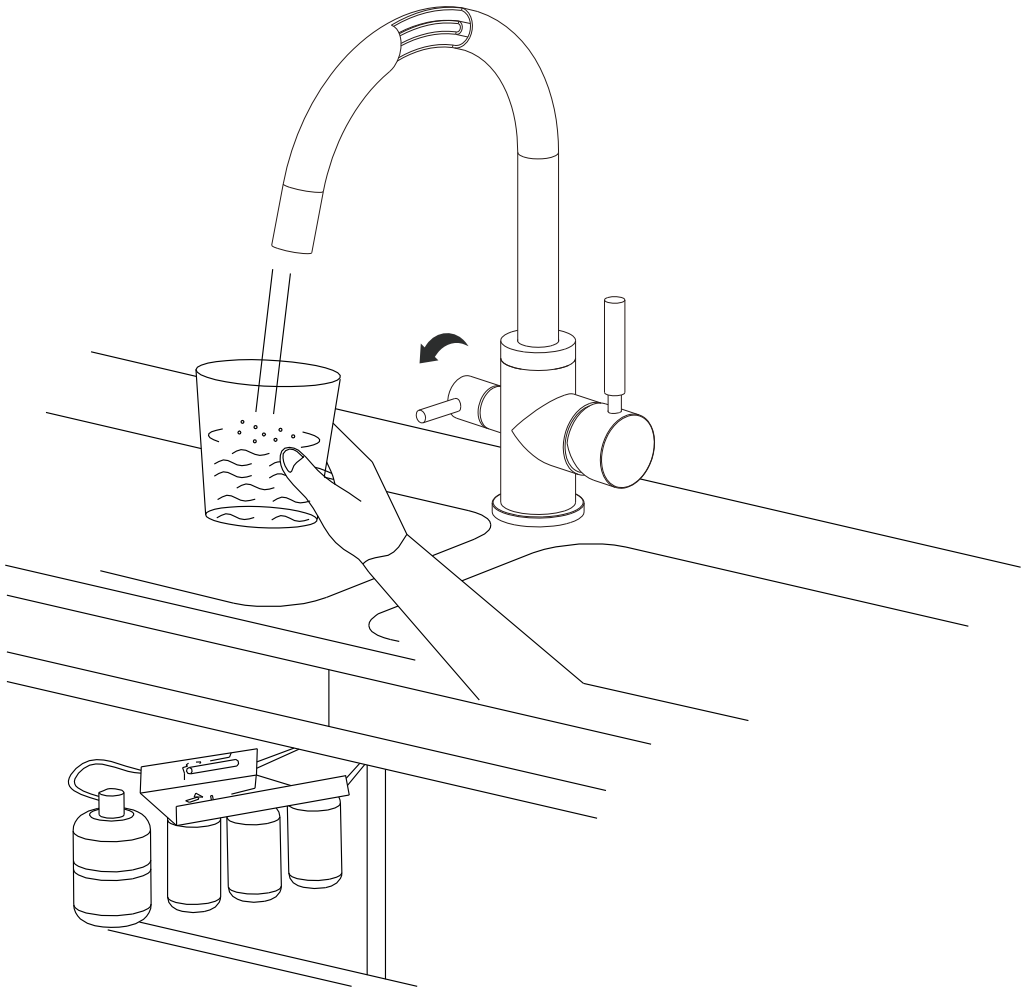


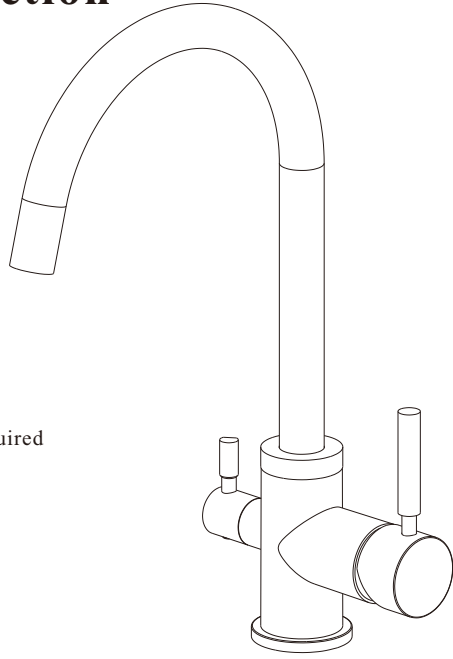
Three Way Kitchen Faucet

3 Wege Wasserhahn Negro



Installation Instruction

Three Way Kitchen Faucet

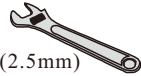


Specification

1. Chrome surface
2. Ceramic valve cartridge
3. Flow rated: 2.2G/M base on 0.5Mpa
4. 1/4" Connector for filtered water pipe
5. G-3/8 or G-1/2 Hose pipe connector as required

Installing tools

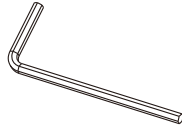
- * Allen wrench (2.5mm)
- * Pipe tape
- * Monkey wrench



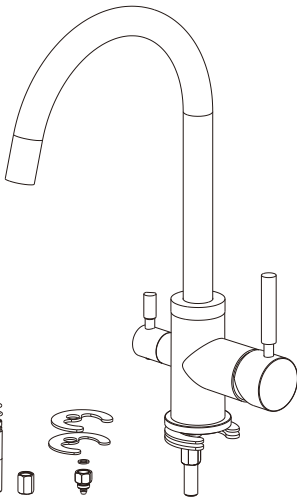
Allen wrench (2.5mm)



Pipe tape



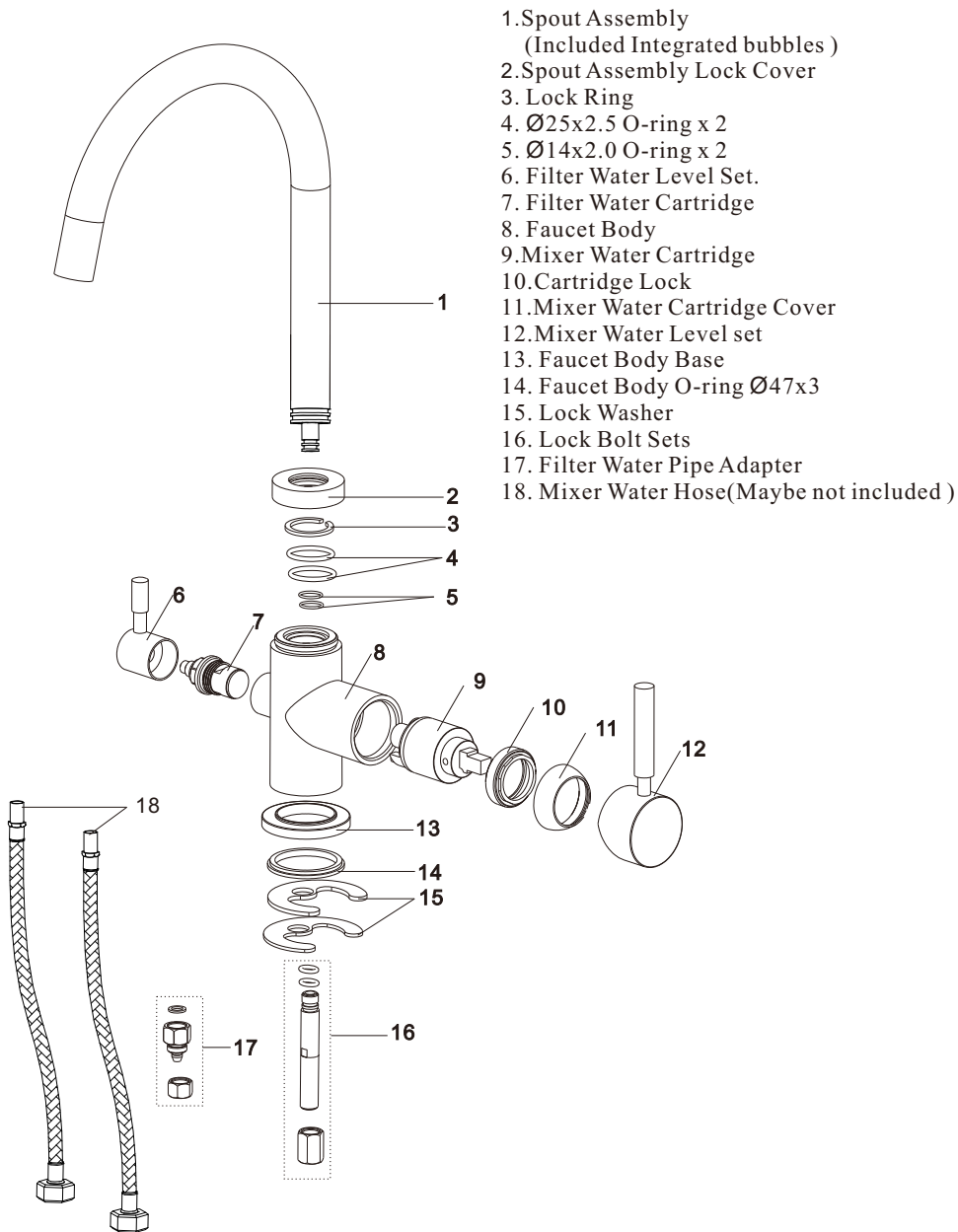
Monkey wrench



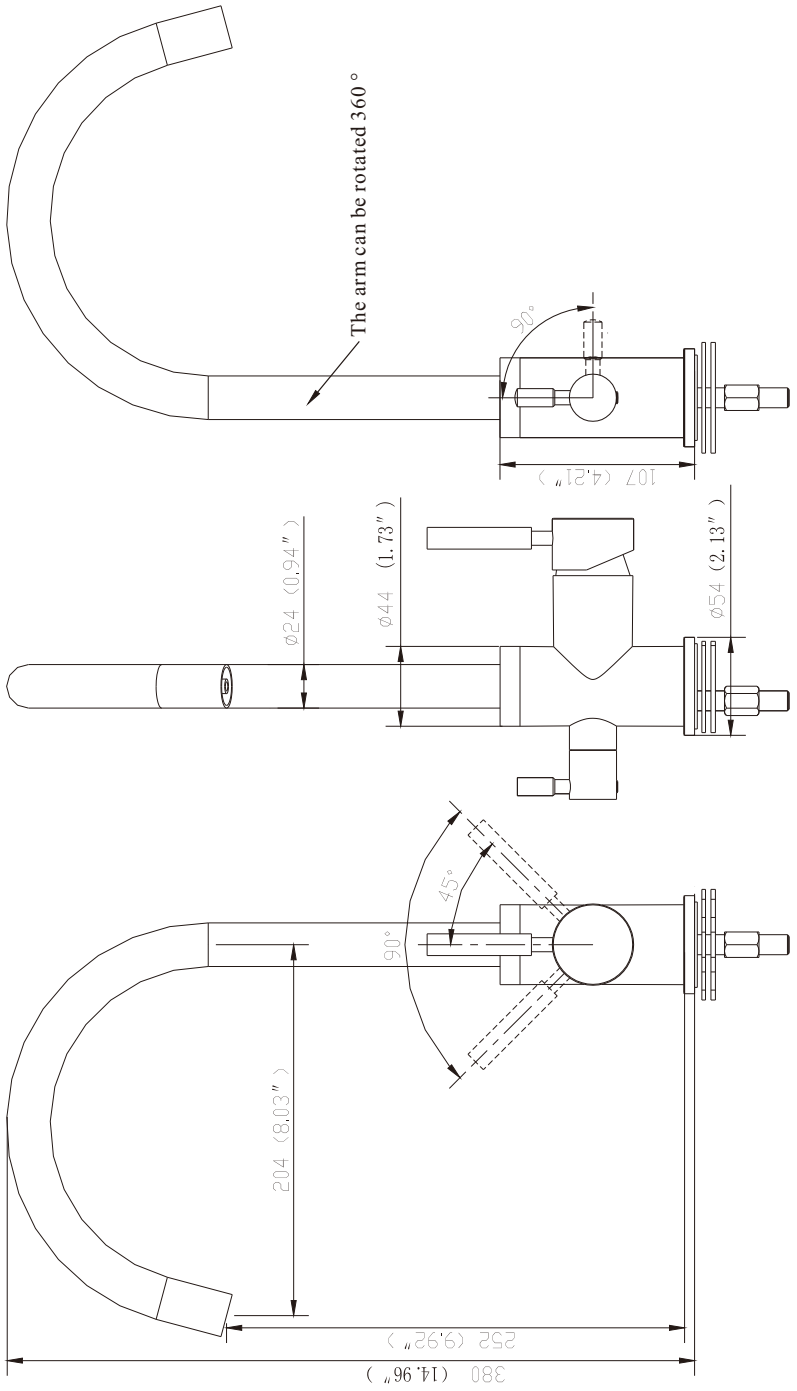
Accessories:

1. 2Pcs hot and cold stainless steel hoses
2. 1sets water filter adapter
3. 1pcs rubber gasket
4. 1Pcs stainless steel gasket

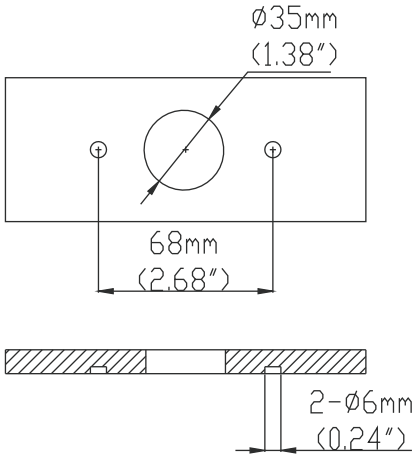
Replacement Parts



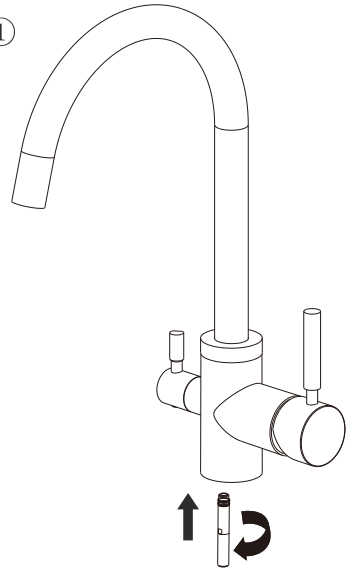
Profile Drawing



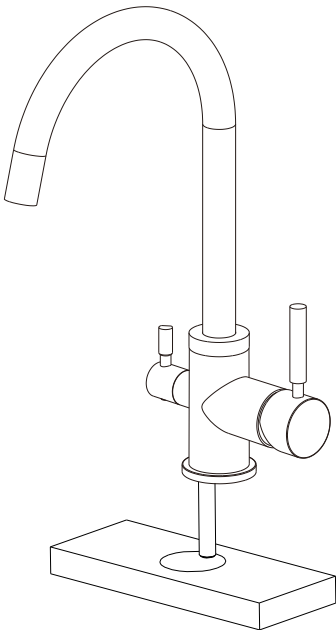
Faucet Installation Procedures



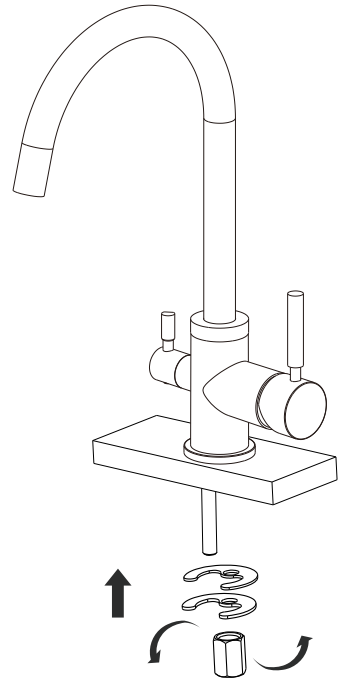
Step ①



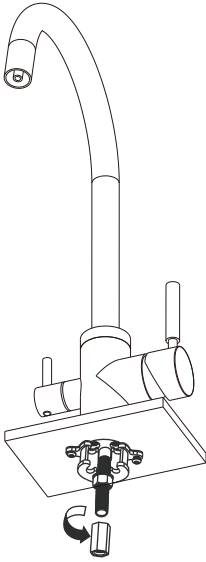
Step ②



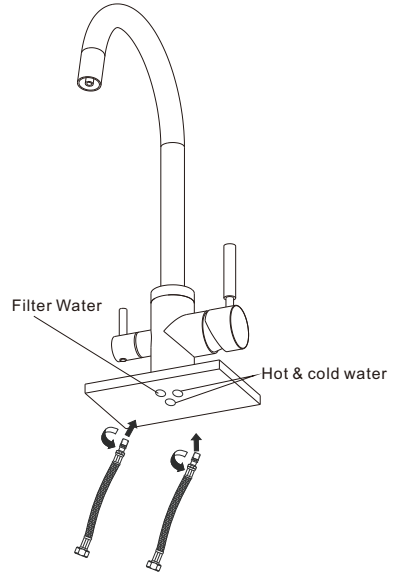
Step ③



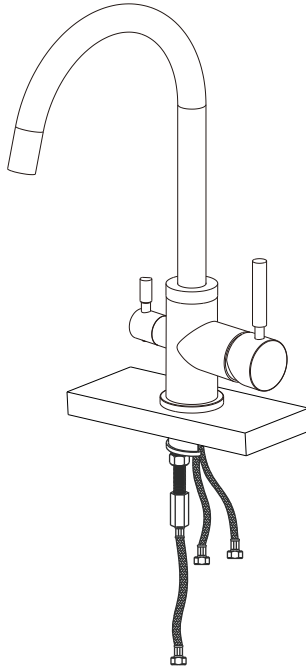
Step ④



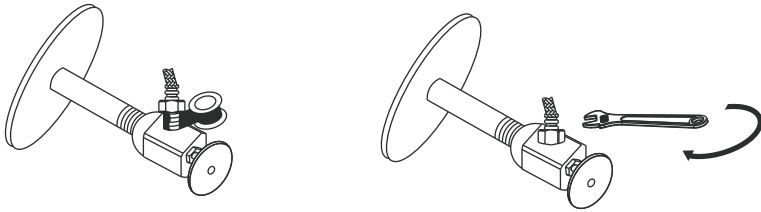
Step ⑤



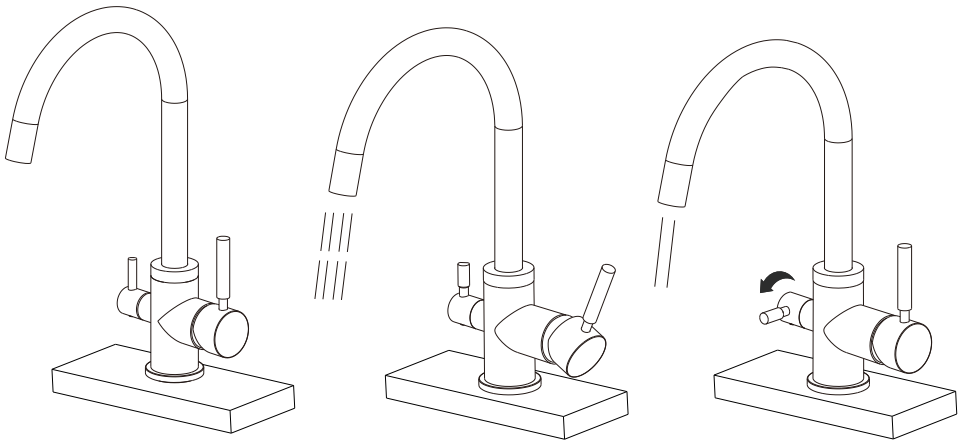
Step ⑥



Step ⑦



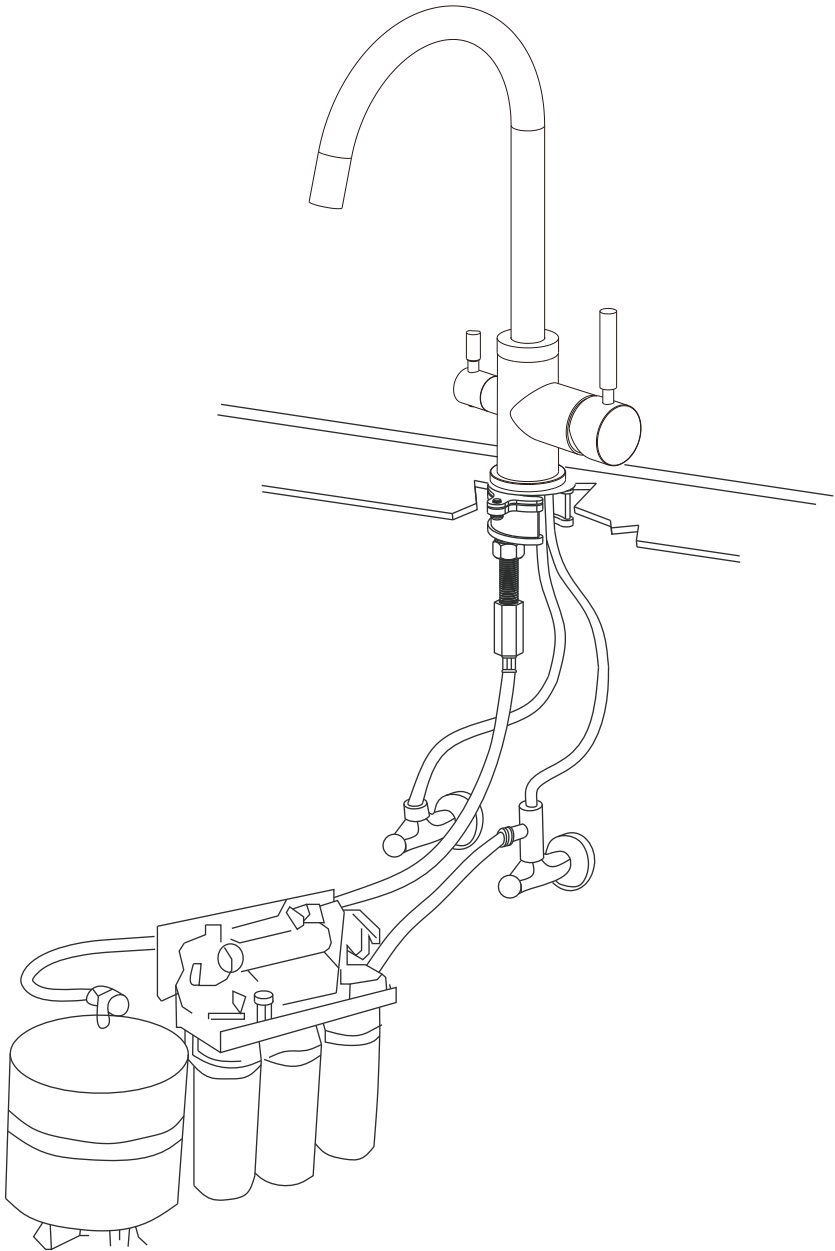
Step ⑧



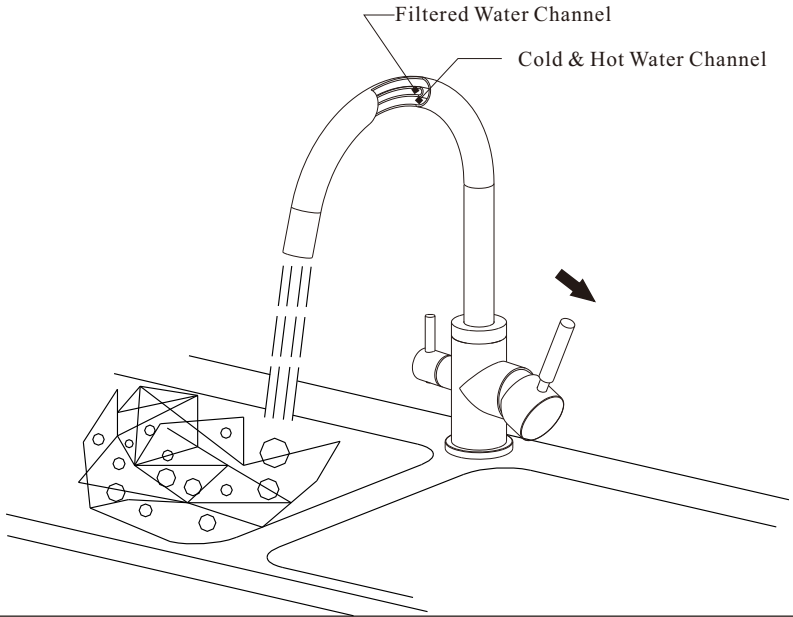
Notice

Please removal all the sand, silt etc. anything maybe block the cartridge before fixed to your kitchen Counter top. If the faucet cannot work, please send to a qualified person to repair it

Step 9



Step ⑩



Step ⑪

